

TechnoParts

Electronic Parts & Electro Technical Equipment

AMP-VOLT-METER 100VDC 100A

6,5 to 100 Volt & 0 to 100 Ampere Panel Meter

Feature:

Electrical parameter measurement function
(Voltage, Current, Active Power, Energy)
With data memory, programmable power alarm and reset function

Specification:

Working voltage: 6.5~100Vdc
Voltage test range: 6.5~100Vdc
Rated power: 100A/10000W
Class 1 measurement precision

Display Format:

Voltage test range, display format: 6.5~100Vdc
Current test range, display format: 0.00~99.99A
Power test range, display format under 1kW, is 0.0~999.9W
Within 1kW~10kW, display format is 1000~9999W
Above 10kW, display format is 10~9999kW
Energy test range, display format under 1kWh is 0~9999Wh
Above 10kWh, display format is 10~9999kWh

Backlight Control:

Short press the key to turn on or off the backlight, the backlight has memory function, it can store the on or off state when power off.

Reset Energy:

Step 1: Long press the key for 5 seconds until the number in the energy display window flash, then release the key.
Step 2: Short press the key again, then the energy value is cleared and exit the reset flashing state. If you don't want to clear, then long press the key for 5 seconds again until the number doesn't flash, it means the energy value is not cleared and will exit the reset state.

Set Power Alarm Threshold:

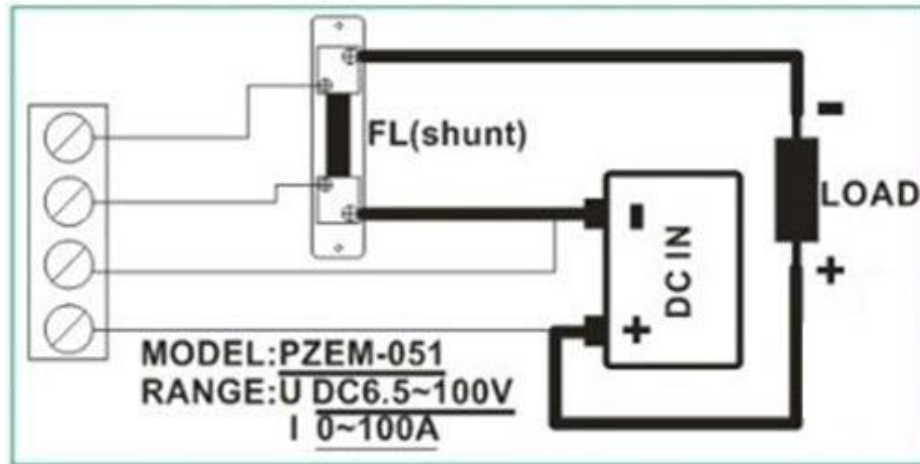
Step 1: Long press the key until the LCD screen display "SET CLR", then release the key to enter the setting state.
Step 2: Power window display the current power alarm value and the last digit begin to flash, then you can short press to plus 1, when there is no operation over 3 seconds, it will switch the digit position automatically, the setting mode is the same as the above.
Step 3: After finishing the setting, long press the key over 5 seconds will store automatically and exit, the range of active power threshold is 0.0~22.0kW.



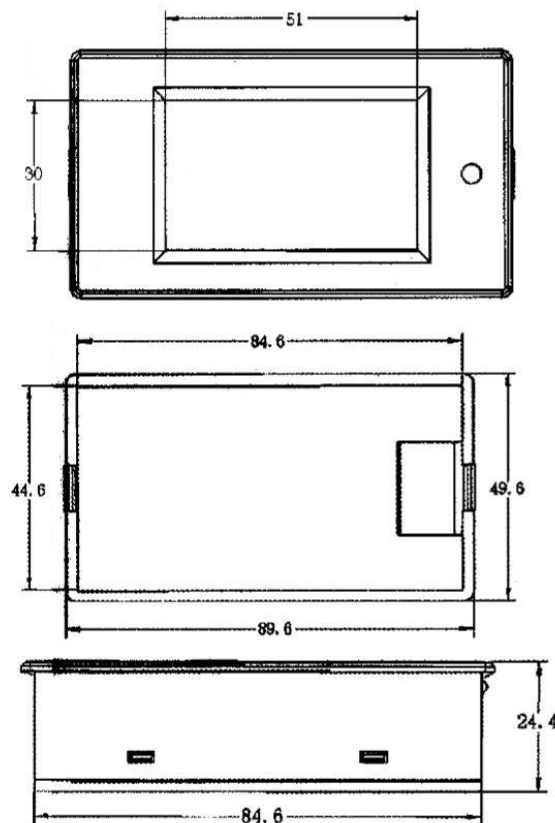
TechnoParts

Electronic Parts & Electro Technical Equipment

Wiring:



Dimensions:



Precautions:

This module is suitable for indoor use only, please do not use outdoors.

Applied load should not exceed the rated power.

Make sure all wiring is correct before apply power.