

# TechnoParts

Electronic Systems & Electro Technical Equipment

## AMP-VOLT-METER 300VDC-200A-SHUNT-6DIG

0 - 300 Volt DC 0-200 Amp Digital Meter

### Features:

DC Volt & Amp panel meter with two-colour display, blue and red.  
Voltage and current displayed on screen at the same time.

### Specifications:

Meter Size: 48x29x21 mm  
Mounting cut-out: 46 x 27 mm  
Shunt Size: 116 x 17 x 22 mm  
Working voltage: min. 4.5Vdc, max. 30Vdc  
Working current: <20 mA  
Measuring range: DC 0-300Vdc, 0-200Amp  
Measure accuracy: 1% ( $\pm 1$  digit)  
Operating temperature: -15 to 70°C  
Working pressure: 80 to 106 kPa

### Wiring:

Connector 1;  
Red wire: power supply+  
Black wire: power supply -  
Connector 2:  
Red wire: PW+, measuring voltage input.  
Yellow wire: IN+, current input.  
Black wire: COM, common measuring.

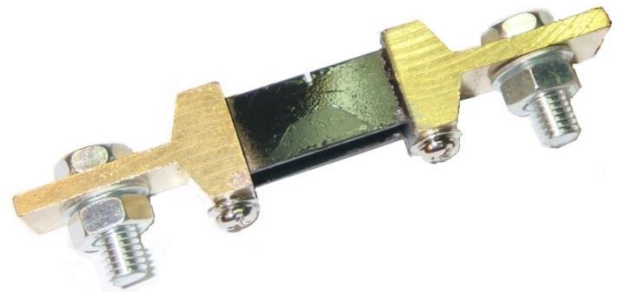
### Notes:

Max. Meter work power supply is 30 Vdc  
Max. measuring voltage is 300 Vdc  
Max. measuring current is 200 Amp

**SHUNT IS REQUIRED.**

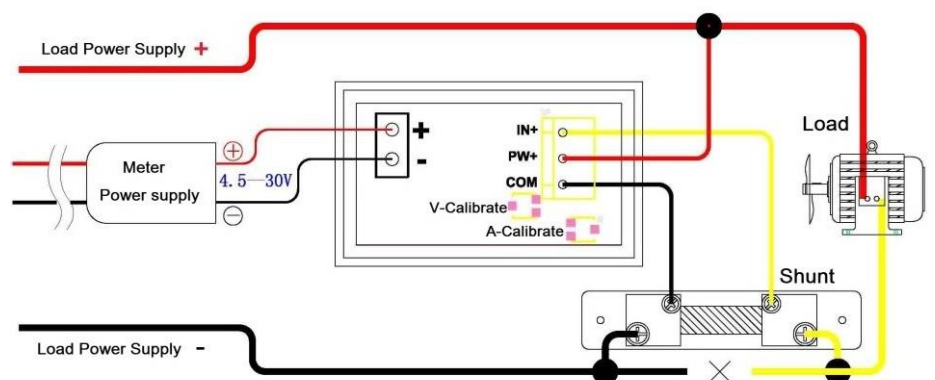
See wiring diagrams 1 and 2.

**IN-DOOR USE ONLY!**



### Wiring Diagram 1

----- Isolated Power Supply



### Wiring Diagram 2

----- Non-isolated

