

TechnoParts

Electronic Systems & Electro Technical Equipment

AMP-VOLT-METER

100VDC-100A-SHUNT-6DIG

0 - 100 Volt DC 0-100 Amp Digital Meter

Features:

DC Volt & Amp panel meter with two-colour display, blue and red.
Voltage and current displayed on screen at the same time.

Specifications:

Meter Size: 48x29x21 mm
Mounting cut-out: 46 x 27 mm
Shunt Size: 116x17x22 mm
Working voltage: min. 4.5Vdc, max. 30Vdc
Working current: <20 mA
Measuring range: DC 0-100Vdc, 0-100Amp
Measure accuracy: 1% (± 1 digit)
Operating temperature: -15 to 70°C
Working pressure: 80 to 106 kPa

Wiring:

Connector 1;
Red wire: power supply+
Black wire: power supply -
Connector 2:
Blue wire: PW+, measuring voltage input.
Yellow wire: IN+, current input.
Green wire: COM, common measuring.

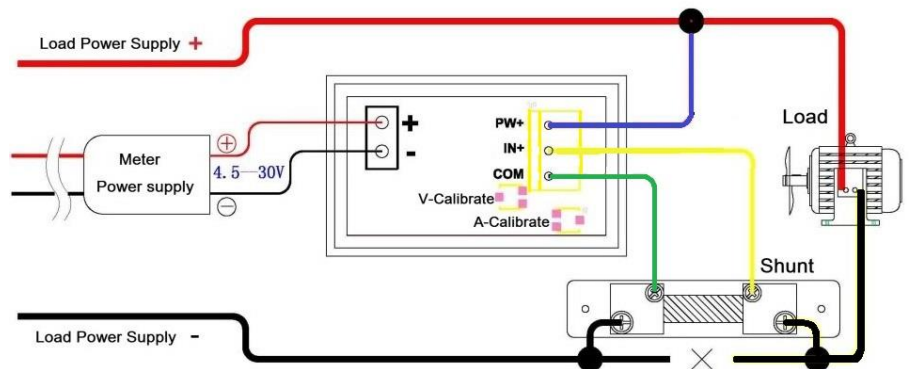
Notes:

Max. Meter work power supply is 30 Vdc
Max. measuring voltage is 100 Vdc
Max. measuring current is 100 Amp
SHUNT IS REQUIRED.
See wiring diagrams 1 and 2.
IN-DOOR USE ONLY!



Wiring Diagram 1

---- Isolated Power Supply



Wiring Diagram 2

-----Non-isolated

